

TC-120 for Grooved Board Fastener

TC-120 for Grooved Board Fastener 3/4" decking boards:



PRODUCT DESCRIPTIONS

201 Stainless Steel Hidden Deck Fastener with black oxide coating for use with 3/4"x4 and 3/4"x6 grooved decking.

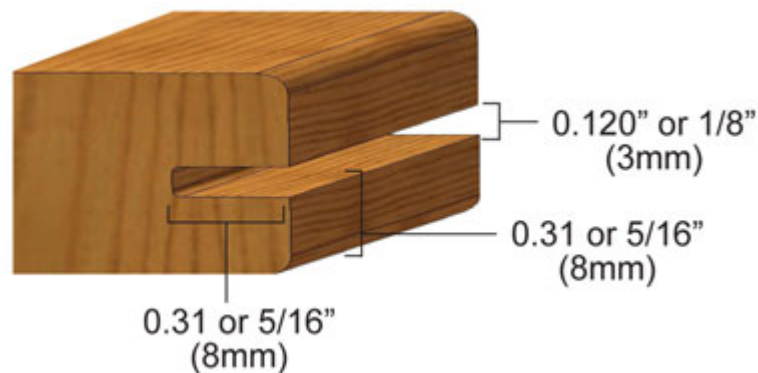
PRODUCT REQUIREMENTS

When using Tiger Claw fasteners please review and comply with these requirements to obtain proper installation. Failure to follow these requirements may result in deck failure and/or void of warranty.

Inspect decking material prior to installation. Omit any planks that contain hooks, twists, splits, cracks, or other defects. Always install decking with crown upward.

When using:

Designed for use in 3/4" decking. If using pre-grooved decking be sure that the groove is the correct dimension and location on the board so that it is compatible with the TC-120 fastener (see groove specs below). A TC-120 Slot Cutter can be used to create grooves in non-grooved boards.



PRODUCT FEATURES & COMPATIBILITY

TC-120 is ideal for ¾" mahogany and ironwood decking

*TC-120 will work on the following decking lumber varieties:

- Mahagony
- Ipe
- Brazilian Red Wood
- Red Balau
- Spotted Gum
- Merbau
- Most ¾" Exotic Hardwoods

Please consult your manufacturer or ask us first if you plan to use any other decking material not listed above in your decking project. Contact us at: 1-800-928-4437

- Pressure-Treated decking surfaces
- Other material prone to high shrinkage

PRODUCT SPECIFICATIONS

Brand Name	TC-120: Stainless steel hidden deck fastener
Origin	Connecticut, USA
Recommended Materials	Use with wood decking ¾" in thickness
Appearance	Semi gloss black finish, rectangular body with a screw hole in the bend of the bottom flange. Two large will off set opposing tabs on top, one tab with points and the other with a rolled edge, one spacer tab on side of fastener body.
Material	0.060 thick annealed 201 stainless steel (non-magnetic)
Finish	Black oxide with sealer topcoat
Workability	All work can be done quickly and easily using basic tools (screw gun)

Recommended Screw Used	Quality Stainless steel #6 x 1 5/8" finished head decking screw. Screws included in each bag.
Gapping	TC-120 will automatically create a 1/8" space between each board
Expansion/Contraction	Fasteners are designed to allow decking to expand and contract naturally by sliding on the fastener tab and still maintain hold down strength. TC-120 is designed to maintain consistent spacing as deck boards expand and contract. From the point of installation, the TC-120 can handle board expansion up to 1/8" and contraction up to 3/16"
Packaging	90 piece bag, 10 bags per tray pack 2 tray packs per master carton
Package Content	Retail Unit: 90 Tiger Claw fasteners, (92) #6 x 1 5/8" stainless steel screws, (1) #1 Square Drive Bit, (1) Installation Instruction, (1) Support Addendum
Retail Unit Dimensions	(90 piece bag) 6.00"h x 5.00"w x 1.23"d
Coverage	90 pieces covers 50 sq. ft. when using 5.5" decking and 35 sq. ft. when using 3.5" decking
	A fastener is needed at every intersection of a joist and decking board.
	When using 5.5" decking with 16" on center joists:
	$\text{Square footage} \times 1.75 = \text{Approx. \# of fasteners}$
	When using 3.5" Decking with 16" on center joists:
	$\text{Square footage} \times 2.75 = \text{Approx. \# of fasteners}$
	For other configurations:
	# Decking boards x # Supports = # of Fasteners
	# Fasteners / 90 = # Bags (round up to next bag)
	Data & Product Images courtesy of Tiger Claw

